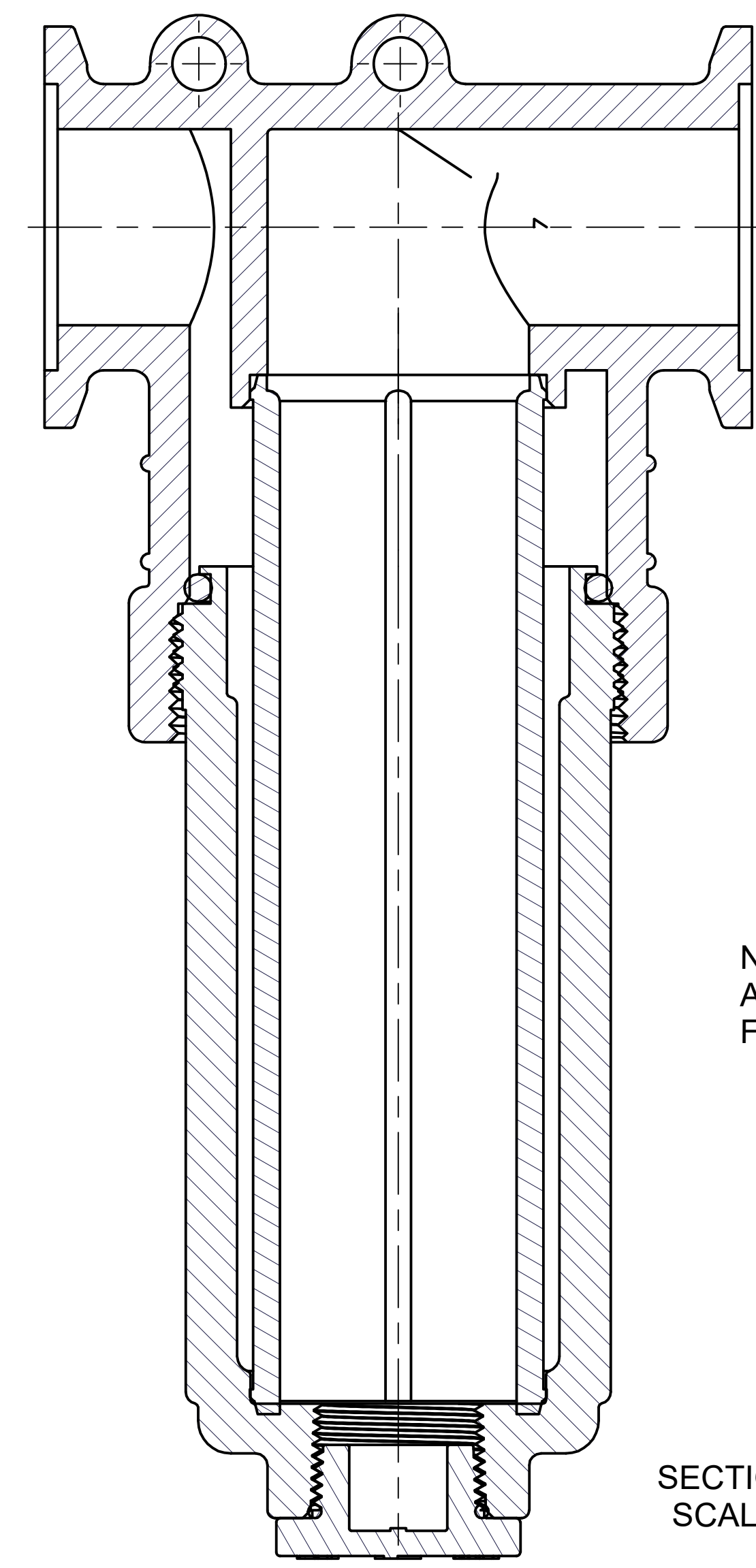
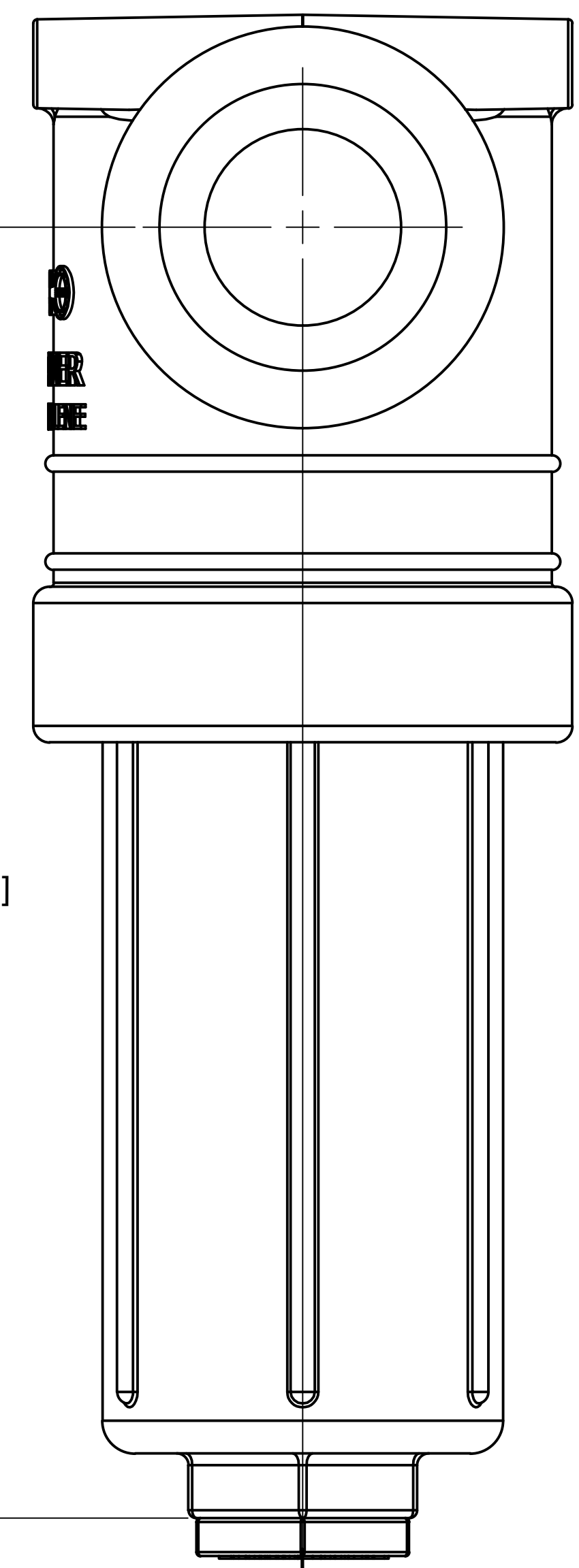
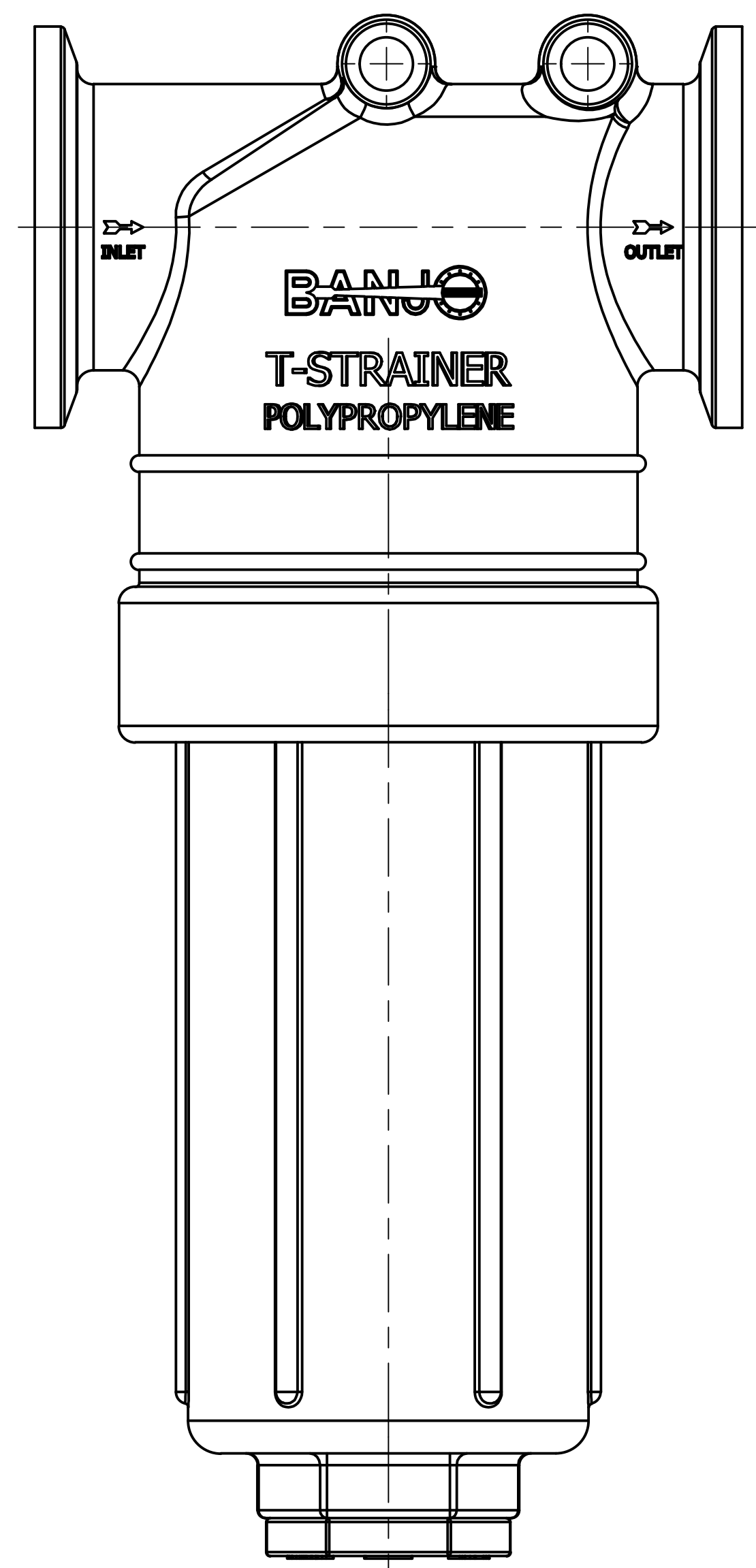
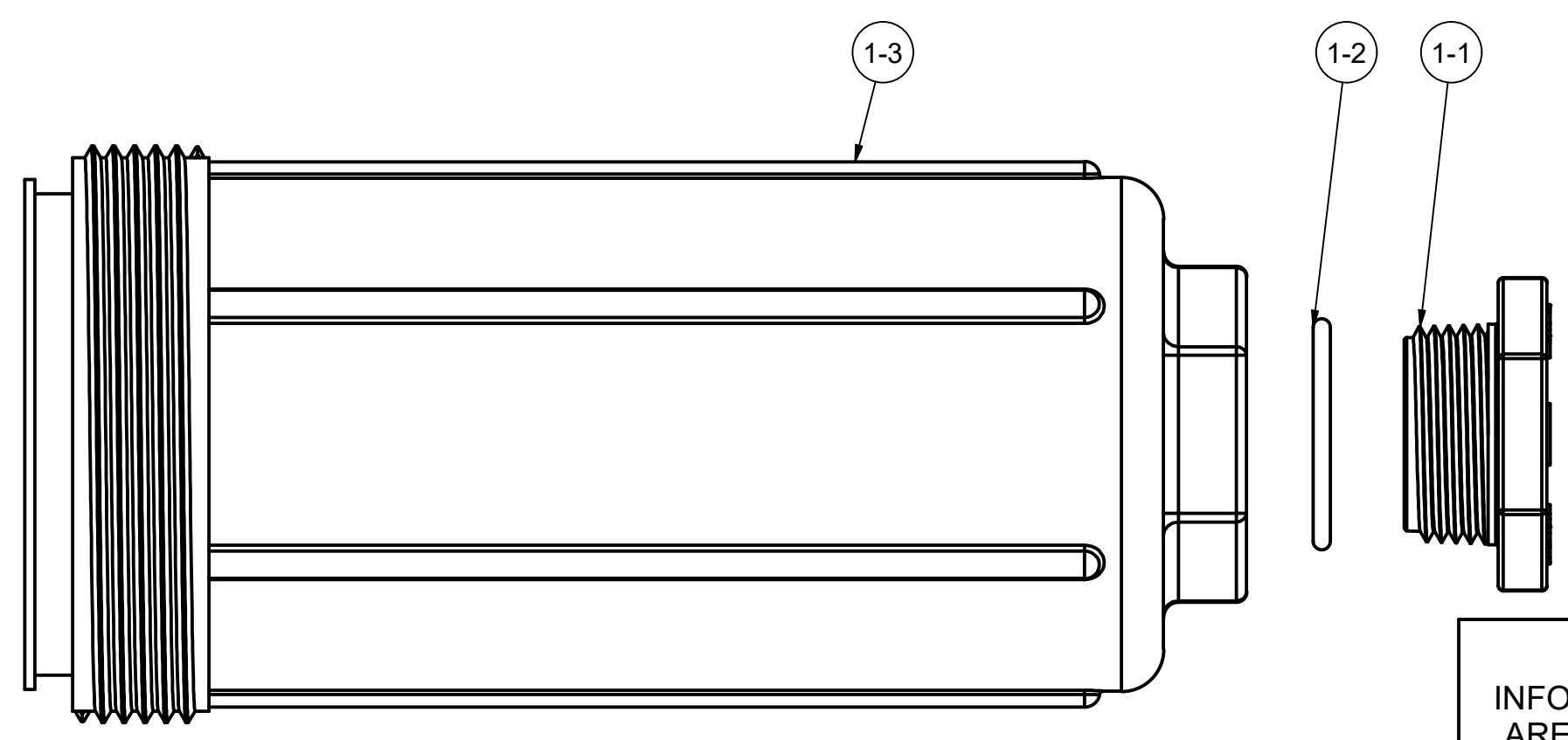
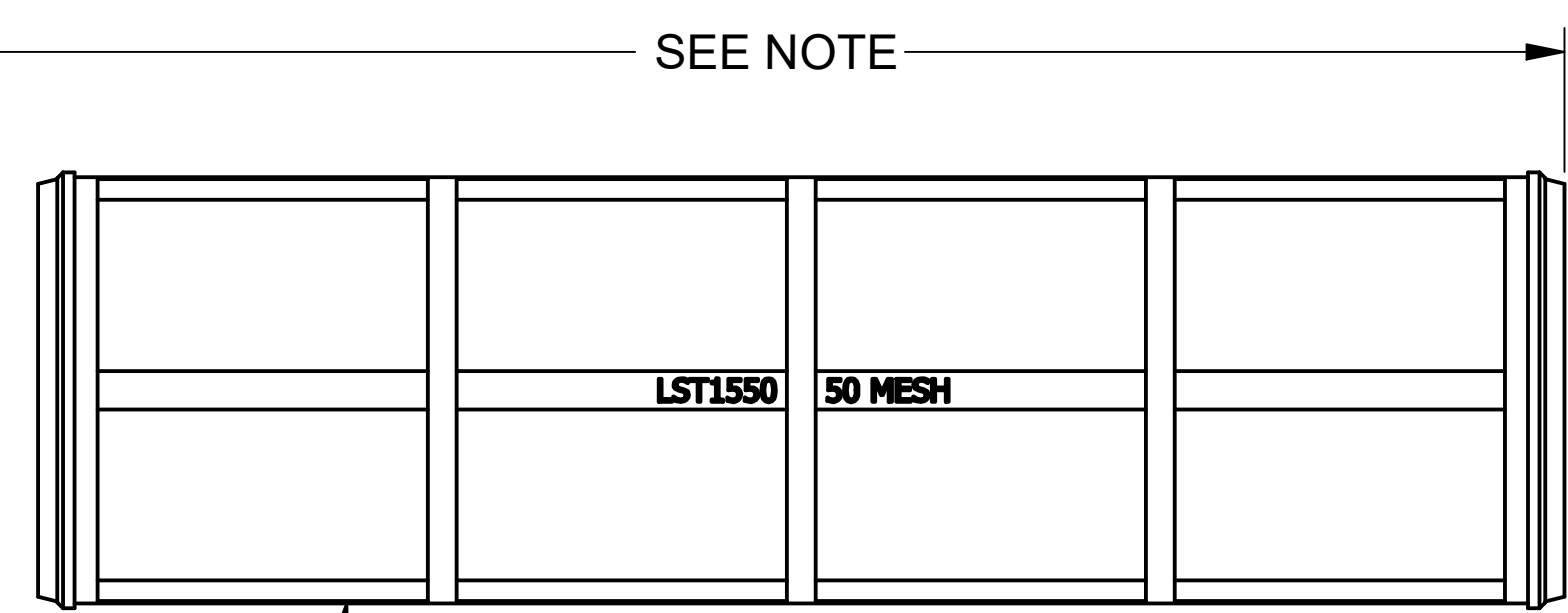
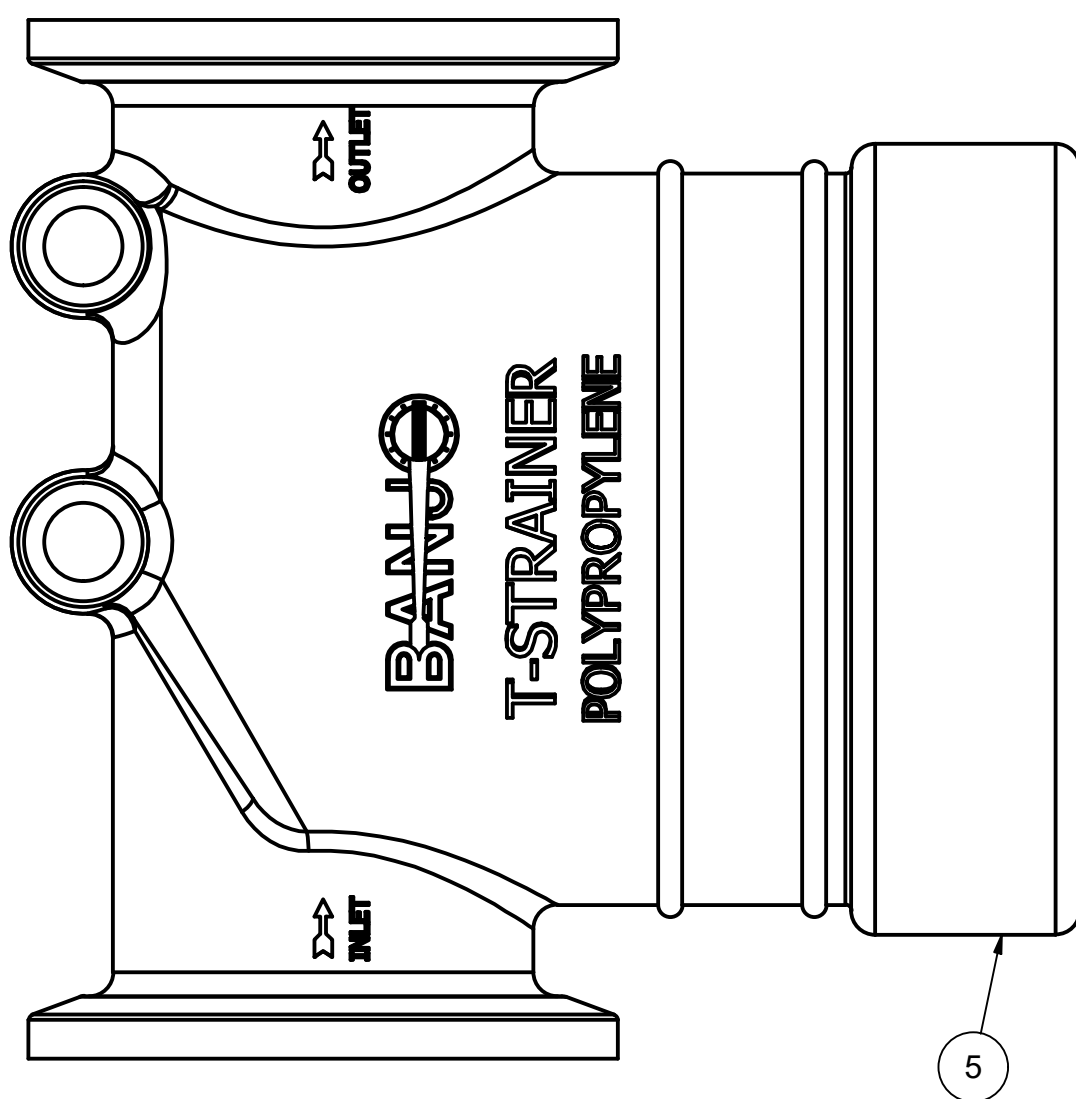


PARTS LIST			
ITEM	QTY	PART NUMBER	DESCRIPTION
1	1	LST150-B	1-1/2" POLY T STRAINER BOWL
1-1	1	LSQ200-PL	1" NPT LINE STRAINER PLUG
1-2	1	LSQ200-R	AS568A -123 O-RING, EPDM, BLACK
1-3	1	LST150-XB	1 1/2" T-STRAINER BOWL
2	1	LST150-G	AS568A -336 O-RING, EPDM, BLACK
3	1	LST225D	DECAL (N/S)
4	1	LST1550	1 1/2" LST SCREEN 50 Mesh, SS, Poly Ribs
5	1	MLST150-H	1-1/2"STRNR W/2" MANIFOLD CONN



NOTE:  
ADDITIONAL CLEARANCE REQ'D  
FOR SCREEN REMOVAL: 8"

SECTION B-B  
SCALE 1 : 1



THIS DRAWING AND ALL INFORMATION CONTAINED THEREON ARE THE EXCLUSIVE PROPERTY OF BANJO CORPORATION.  
UNLESS SPECIFICALLY NOTED, THIS DRAWING AND ITEMS SHOWN ON THIS DRAWING ARE SUBJECT TO CHANGE AT ANY TIME.

BANJO CORPORATION 150 BANJO DRIVE, CRAWFORDSVILLE, IN 47933 WEB SITE: WWW.BANJO.CORP.COM E-MAIL: BANJOSALES@IDEXCORP.COM	
DESCRIPTION	2" STNRD PORT T STRNR-50 MESH
PART NUMBER	MLST150-50